



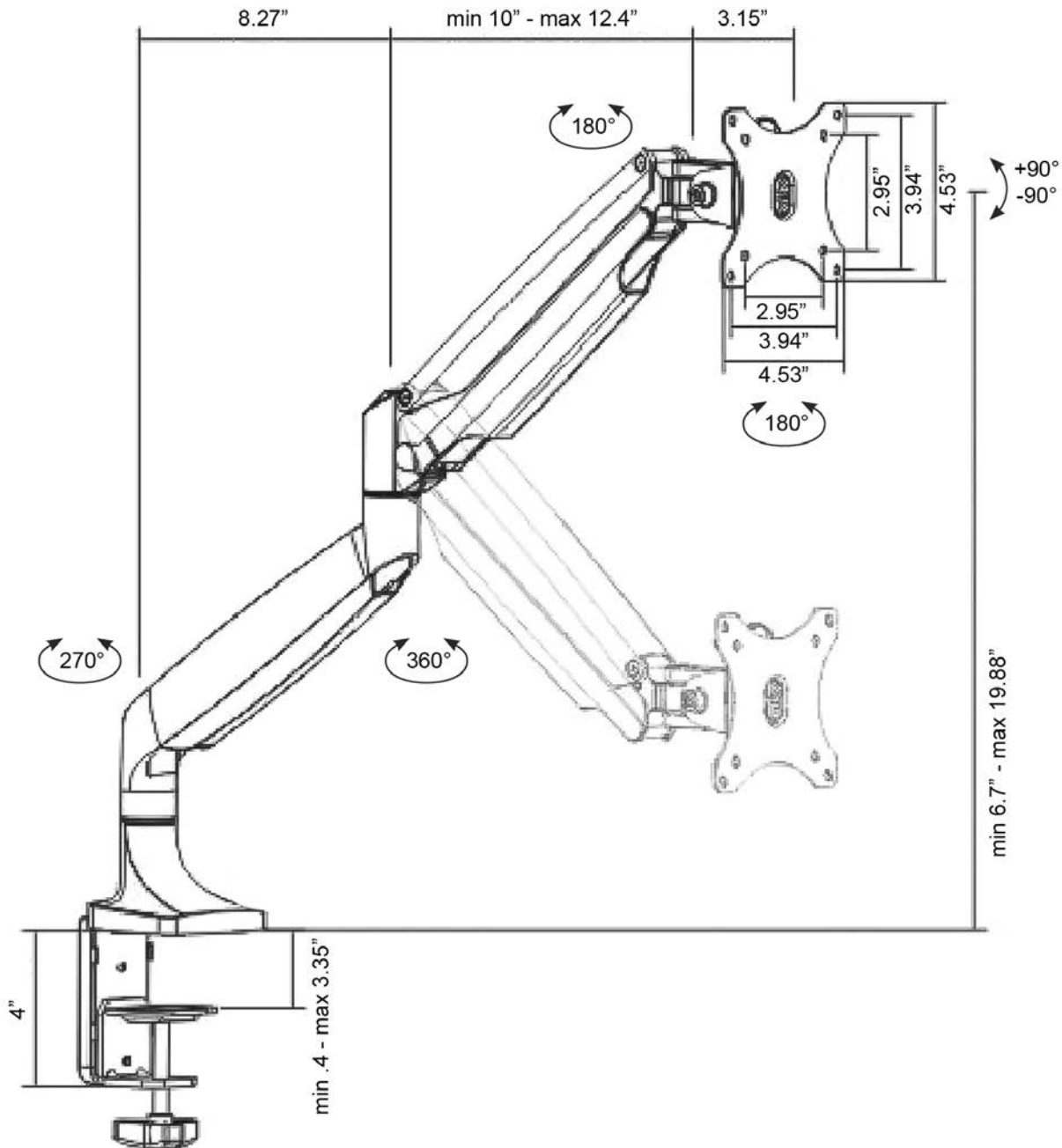
# Echo 1

## FEATURES

- Dynamic movement
- Gas lift operation
- Integrated wire management
- Quick release vesa mount plate
- Clamp and grommet mount included
- Up to 32" monitors
- 2.2 to 19.8lbs weight range
- -90° to 90° tilt range
- 20" extension
- 16" height adjustment
- Available in Silver and Black



## DIMENSIONS



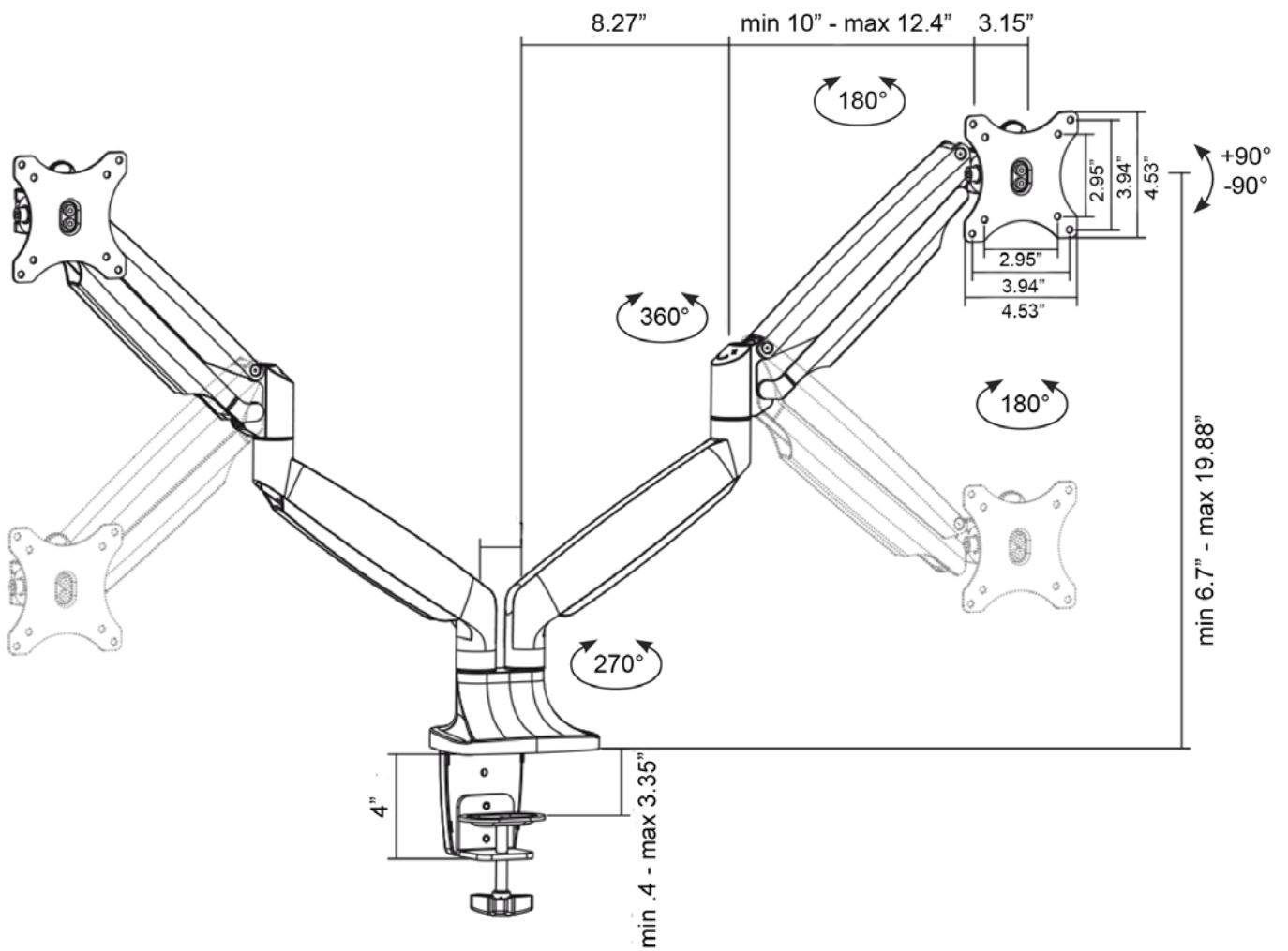
# Echo 2

FEATURES

- Dynamic movement
- Gas lift operation
- Integrated wire management
- Quick release vesa mount plate
- Clamp and grommet mount included
- Up to 32" monitors
- 2.2 to 19.8lbs weight range
- -90° to 90° tilt range
- 20" extension
- 16" height adjustment
- Available in Silver and Black



DIMENSIONS



# Echo Slide

FEATURES

- Dual Monitor arm
- Counterbalanced gas spring technology
- Bezel to bezel monitor placement
- Dual 17"- 32" monitors
- 2.2 to 17.5lbs/ each monitor
- Detachable pull handle
- 20.7" arm reach
- 180° rotation lockout
- Available in Silver and Black



DIMENSIONS

