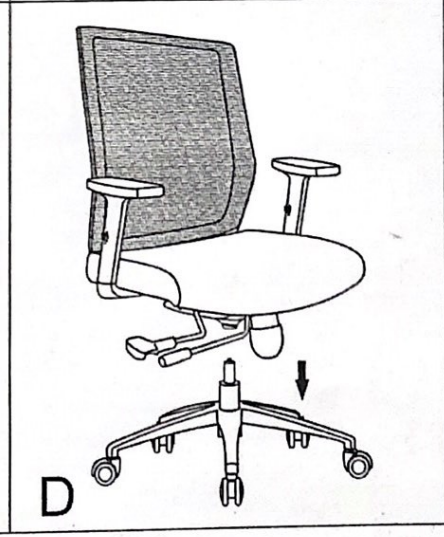
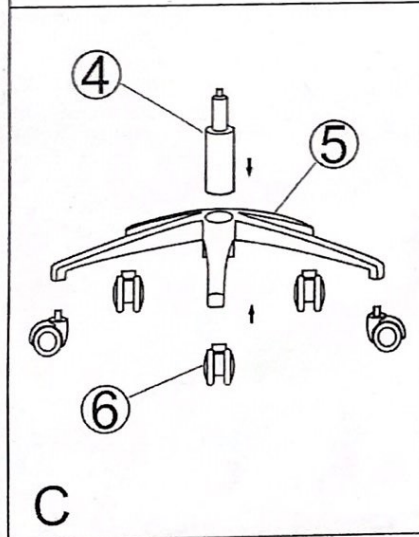
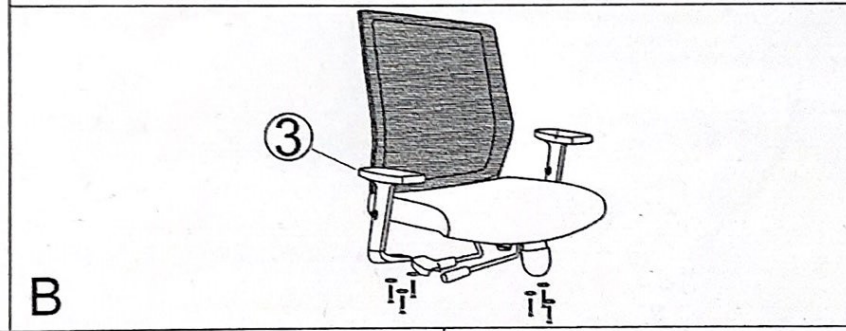
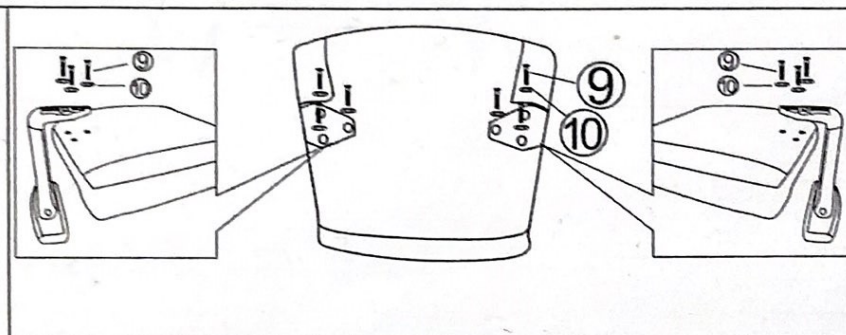
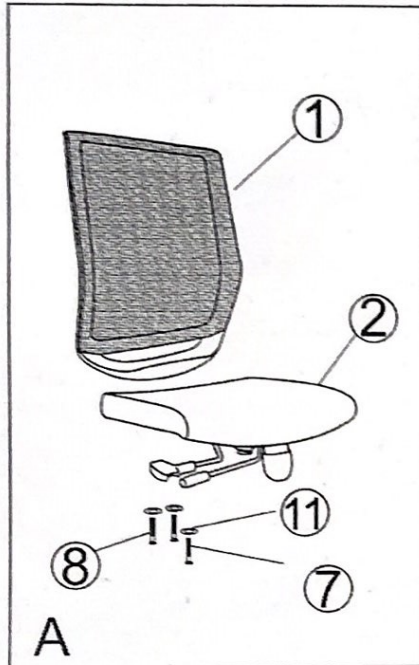


# Assembly Instructions

ITEM NO: EC2-W

element



| No.   | Accessories | Size | QTY |
|-------|-------------|------|-----|
| ①     |             |      | 1   |
| ②     |             |      | 1   |
| ③     |             |      | 2   |
| ④     |             |      | 1   |
| ⑤     |             |      | 1   |
| ⑥     |             |      | 5   |
| ⑦     |             | 8*35 | 1   |
| ⑧     |             | 8*30 | 2   |
| ⑨     |             | 6*30 | 6   |
| ⑩     |             | M6   | 6   |
| ⑪     |             | M8   | 3   |
|       |             |      |     |
|       |             |      |     |
|       |             |      |     |
|       |             |      |     |
|       |             |      |     |
|       |             |      |     |
|       |             |      |     |
|       |             |      |     |
|       |             |      |     |
| Tool: |             | M6   | 1   |